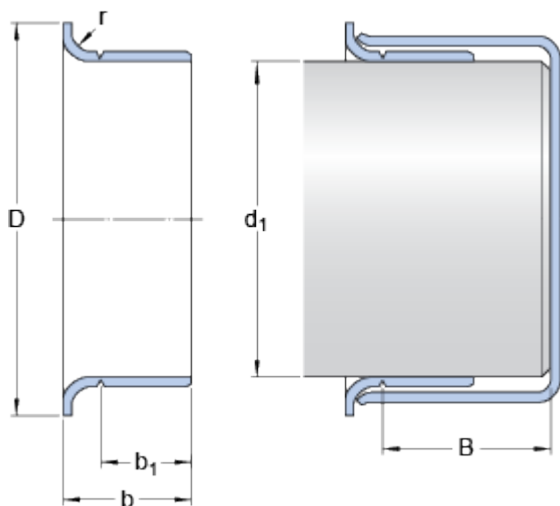


99175

Dimensions



Shaft diameter range

d_1 min. 1.747 in

d_1 max. 1.753 in

Nominal dimensions

d_1 1.75 in

D 2.063 in

\pm 0.063 in

b 0.875 in

\pm 0.0315 in

b_1 0.75 in

\pm 0.0315 in

B max. 0.813 in

r max. 0.125 in