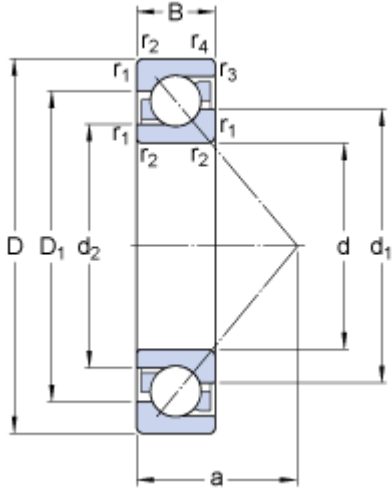


7316 BECBM

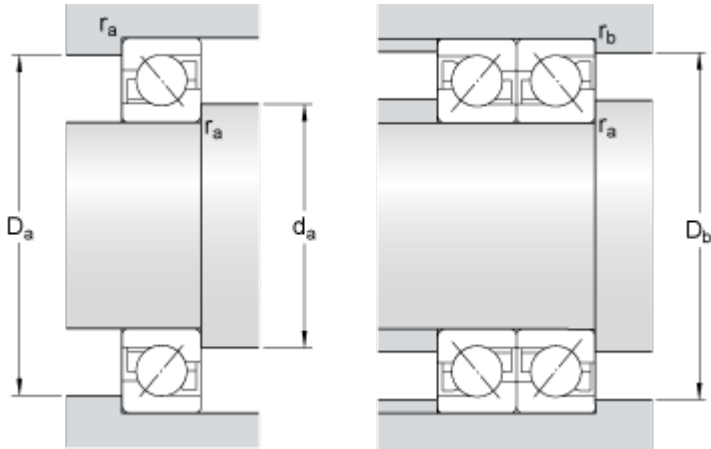
SKF Explorer

Dimensions



d	3.15	in
D	6.693	in
B	1.535	in
d ₁	≈ 4.535	in
d ₂	≈ 3.822	in
D ₁	≈ 5.384	in
a	2.835	in
r _{1,2}	min. 0.0827	in
r _{3,4}	min. 0.0433	in

Abutment dimensions



d _a	min. 3.622	in
D _a	max. 6.22	in
D _b	max. 6.417	in
r _a	max. 0.0787	in
r _b	max. 0.0394	in

Calculation data

Basic dynamic load rating	C	32147.679	lbf
Basic static load rating	C ₀	26527.455	lbf
Fatigue load limit	P _u	1011.64	lbf
Reference speed		5000	r/min
Limiting speed		5000	r/min
Calculation factor	k _r	0.1	
Calculation factor	k _a	1.6	
Calculation factor	e	1.14	

Single bearing or bearing pair arranged in tandem

Calculation factor	X	0.35	
Calculation factor	Y ₀	0.26	

Calculation factor	Y_2	0.57
Bearing pair arranged back-to-back or face-to-face		
Calculation factor	X	0.57
Calculation factor	Y_0	0.52
Calculation factor	Y_1	0.55
Calculation factor	Y_2	0.93

Mass

Mass bearing		8.378	lb
--------------	--	-------	----
