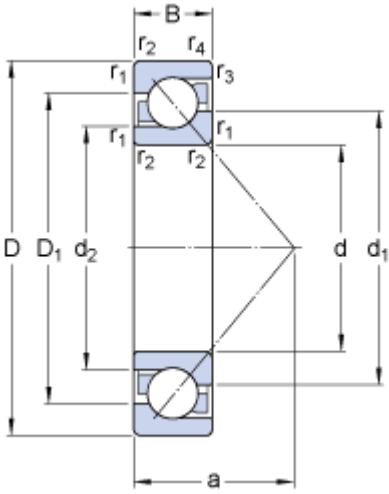


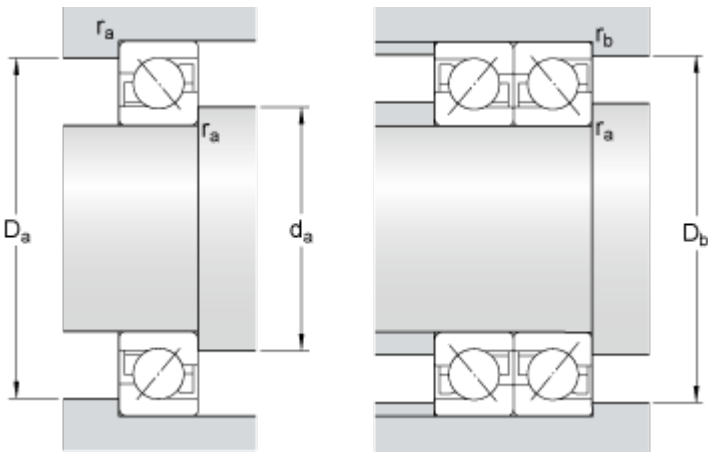
7328 BCBM

Dimensions



d	5.512	in
D	11.811	in
B	2.441	in
d ₁	≈ 7.972	in
d ₂	≈ 6.778	in
D ₁	≈ 9.549	in
a	4.843	in
r _{1,2}	min. 0.157	in
r _{3,4}	min. 0.0591	in

Abutment dimensions



d _a	min. 6.22	in
D _a	max. 11.142	in
D _b	max. 11.457	in
r _a	max. 0.118	in
r _b	max. 0.0591	in

Calculation data

Basic dynamic load rating	C	67892.301	lbf
Basic static load rating	C ₀	77559.085	lbf
Fatigue load limit	P _u	2203.128	lbf
Reference speed		2600	r/min
Limiting speed		2600	r/min
Calculation factor	k _r	0.09	
Calculation factor	k _a	1.4	
Calculation factor	e	1.14	

Single bearing or bearing pair arranged in tandem

Calculation factor	X	0.35	
Calculation factor	Y ₀	0.26	

Calculation factor	Y_2	0.57
Bearing pair arranged back-to-back or face-to-face		
Calculation factor	X	0.57
Calculation factor	Y_0	0.52
Calculation factor	Y_1	0.55
Calculation factor	Y_2	0.93

Mass

Mass bearing		47.399	lb
--------------	--	--------	----
