



Midpoint Bearing provides off the shelf solutions for wind turbine gearbox, generator, pitch and yaw drives, and main shaft applications. With one of the largest turbine related inventories in the country, we can fill your needs in a timely manner.

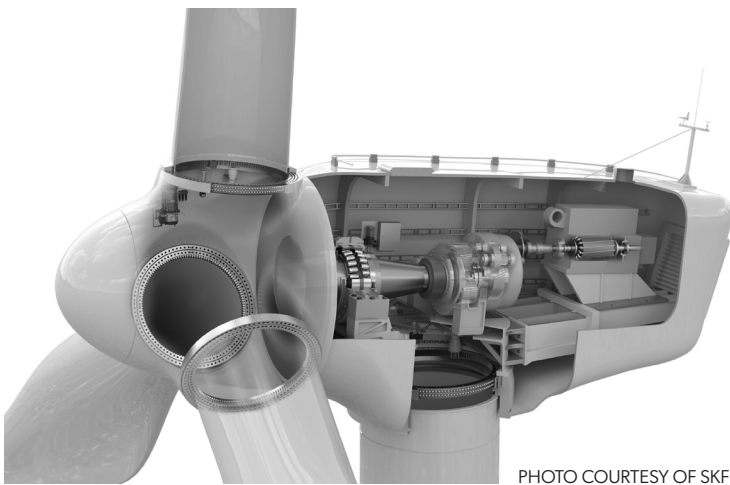


PHOTO COURTESY OF SKF

MAIN SHAFT & GEARBOX

- Upgraded design technologies to increase bearing life
- Original OEM specified designs

GENERATOR

- Ceramic Ball Hybrid Bearings
- Ceramic Insulated Bearings
- Original OEM Specified Steel Ball Bearings
- Aegis WTG Bearing Protection Rings



PITCH & YAW BEARINGS

- Upgraded Ball and Roller Designs
- Upgraded Geometries
- Upgraded sealing designs

PITCH & YAW DRIVES

- OEM and upgraded designs available

AUTHORIZED DISTRIBUTOR FOR:

SCHAEFFLER

SKF

Koyo

NTN

AEGIS

SCAN TO SHOP OUR
BEARING SELECTION





VISIT US ONLINE AT MIDPOINT.EIS-INC.COM

WINDINQUIRIES@EIS-INC.COM | 833.308.6644