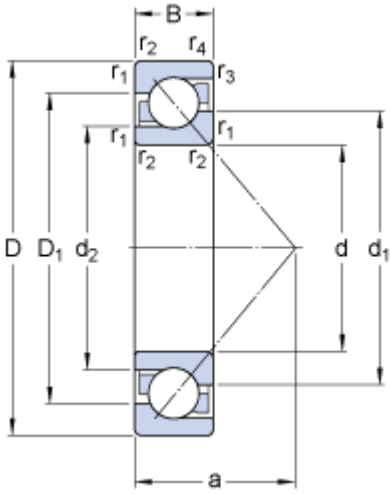


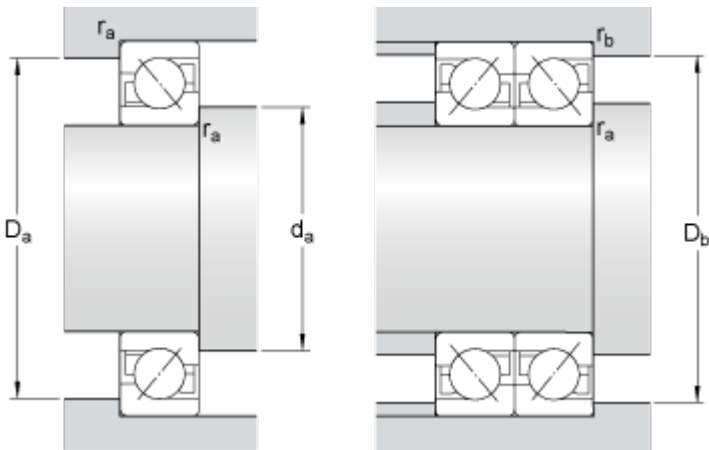
# 7309 BECBY

## Dimensions



$d$	1.772	in
$D$	3.937	in
$B$	0.984	in
$d_1$	≈ 2.618	in
$d_2$	≈ 2.175	in
$D_1$	≈ 3.146	in
$a$	1.693	in
$r_{1,2}$	min. 0.0591	in
$r_{3,4}$	min. 0.0394	in

## Abutment dimensions



$d_a$	min. 2.126	in
$D_a$	max. 3.583	in
$D_b$	max. 3.717	in
$r_a$	max. 0.0591	in
$r_b$	max. 0.0394	in

## Calculation data

Basic dynamic load rating	$C$	13600.941	lbf
Basic static load rating	$C_0$	9329.571	lbf
Fatigue load limit	$P_u$	388.919	lbf
Reference speed		8000	r/min
Limiting speed		8000	r/min
Calculation factor	$k_r$	0.1	
Calculation factor	$k_a$	1.6	
Calculation factor	$e$	1.14	
<b>Single bearing or bearing pair arranged in tandem</b>			
Calculation factor	$X$	0.35	
Calculation factor	$Y_0$	0.26	

Calculation factor	$Y_2$	0.57
<b>Bearing pair arranged back-to-back or face-to-face</b>		
Calculation factor	X	0.57
Calculation factor	$Y_0$	0.52
Calculation factor	$Y_1$	0.55
Calculation factor	$Y_2$	0.93

## Mass

---

Mass bearing		1.918	lb
--------------	--	-------	----

---