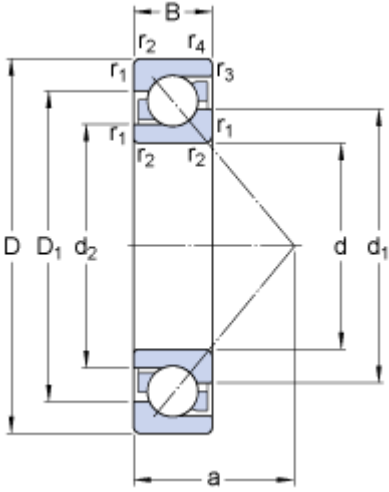


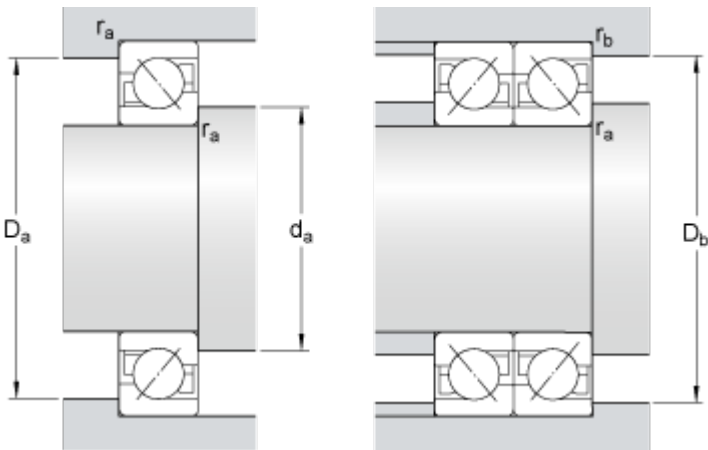
7230 BCBM

Dimensions



d	5.906	in
D	10.63	in
B	1.772	in
d_1	≈ 7.764	in
d_2	≈ 6.913	in
D_1	≈ 8.896	in
a	4.37	in
$r_{1,2}$	min. 0.118	in
$r_{3,4}$	min. 0.0433	in

Abutment dimensions



d_a	min. 6.457	in
D_a	max. 10.079	in
D_b	max. 10.354	in
r_a	max. 0.0984	in
r_b	max. 0.0394	in

Calculation data

Basic dynamic load rating	C	48558.732	lbf
Basic static load rating	C_0	53954.146	lbf
Fatigue load limit	P_u	1562.422	lbf
Reference speed		2600	r/min
Limiting speed		2800	r/min
Calculation factor	k_r	0.08	
Calculation factor	k_a	1.2	
Calculation factor	e	1.14	

Single bearing or bearing pair arranged in tandem

Calculation factor	X	0.35	
Calculation factor	Y_0	0.26	

Calculation factor	Y_2	0.57
Bearing pair arranged back-to-back or face-to-face		
Calculation factor	X	0.57
Calculation factor	Y_0	0.52
Calculation factor	Y_1	0.55
Calculation factor	Y_2	0.93

Mass

Mass bearing	25.353	lb
--------------	--------	----
