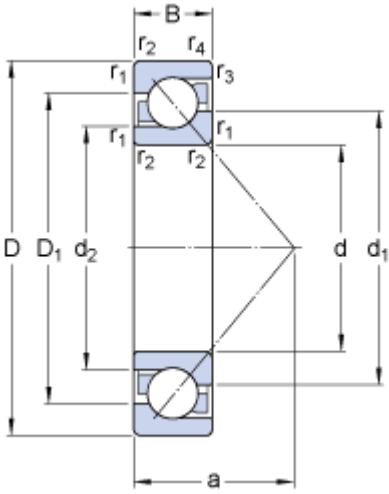


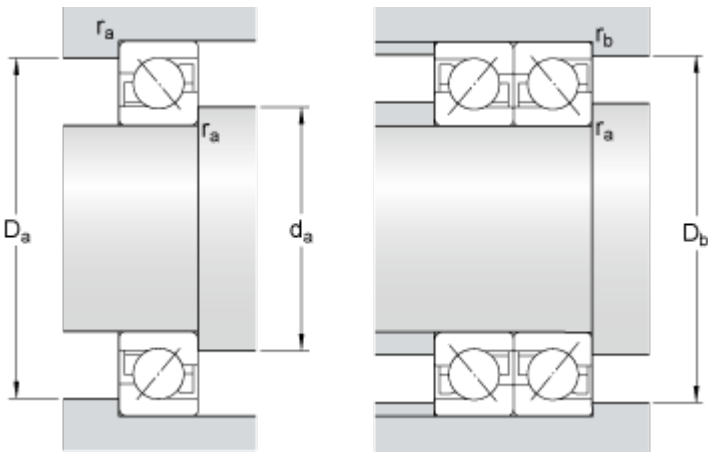
7238 BCBM

Dimensions



d	190	mm
D	340	mm
B	55	mm
d_1	≈ 250.4	mm
d_2	≈ 224.1	mm
D_1	≈ 285.4	mm
a	139	mm
$r_{1,2}$	min. 4	mm
$r_{3,4}$	min. 1.5	mm

Abutment dimensions



d_a	min. 207	mm
D_a	max. 323	mm
D_b	max. 331	mm
r_a	max. 3	mm
r_b	max. 1.5	mm

Calculation data

Basic dynamic load rating	C	307	kN
Basic static load rating	C_0	405	kN
Fatigue load limit	P_u	10.4	kN
Reference speed		2000	r/min
Limiting speed		2200	r/min
Calculation factor	k_r	0.08	
Calculation factor	k_a	1.2	
Calculation factor	e	1.14	

Single bearing or bearing pair arranged in tandem

Calculation factor	X	0.35	
Calculation factor	Y_0	0.26	

Calculation factor	Y_2	0.57
Bearing pair arranged back-to-back or face-to-face		
Calculation factor	X	0.57
Calculation factor	Y_0	0.52
Calculation factor	Y_1	0.55
Calculation factor	Y_2	0.93

Mass

Mass bearing	22	kg
--------------	----	----
