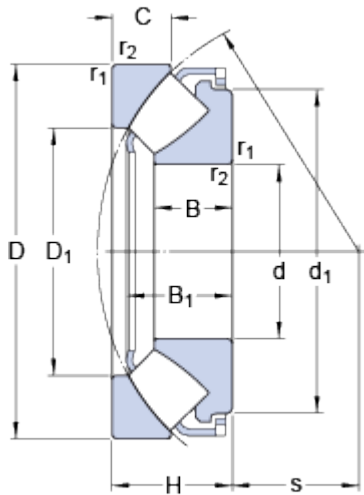


29430 E

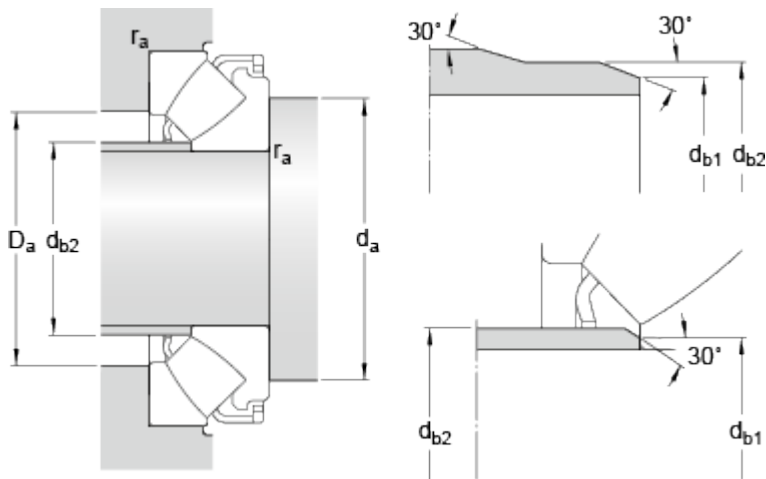
SKF Explorer

Dimensions



| | | |
|------------------|--------|----|
| d | 150 | mm |
| D | 300 | mm |
| H | 90 | mm |
| d ₁ | ≈ 262 | mm |
| D ₁ | ≈ 208 | mm |
| B | 58 | mm |
| B ₁ | 80.8 | mm |
| C | 43.4 | mm |
| s | 92 | mm |
| r _{1,2} | min. 4 | mm |

Abutment dimensions



| | | |
|-----------------|----------|----|
| d _a | min. 220 | mm |
| d _{b1} | max. 163 | mm |
| d _{b2} | max. 175 | mm |
| D _a | max. 253 | mm |
| r _a | max. 3 | mm |

Calculation data

| | | | |
|---------------------------|----------------|------|-------|
| Basic dynamic load rating | C | 1860 | kN |
| Basic static load rating | C ₀ | 5100 | kN |
| Fatigue load limit | P _u | 520 | kN |
| Reference speed | | 1200 | r/min |
| Limiting speed | | 2200 | r/min |
| Minimum axial load factor | A | 2.5 | |

Mass

| | | | |
|--------------|--|----|----|
| Mass bearing | | 28 | kg |
|--------------|--|----|----|