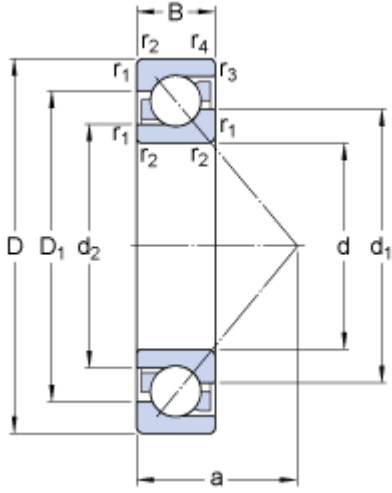


# 7312 BECBM

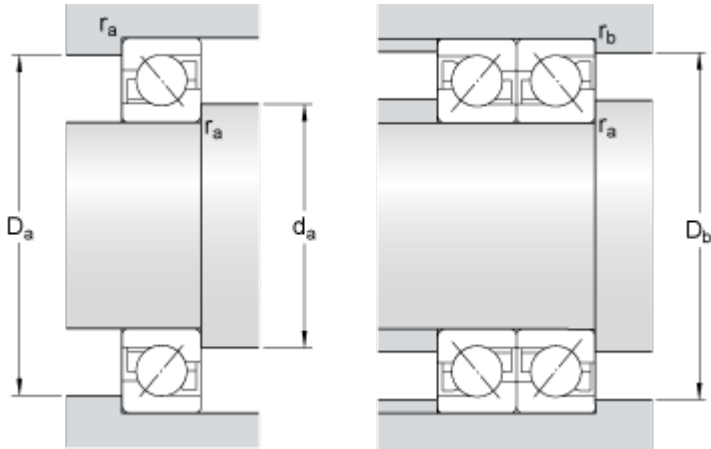
SKF Explorer

## Dimensions



d	2.362	in
D	5.118	in
B	1.22	in
d <sub>1</sub>	≈ 3.435	in
d <sub>2</sub>	≈ 2.858	in
D <sub>1</sub>	≈ 4.126	in
a	2.165	in
r <sub>1,2</sub>	min. 0.0827	in
r <sub>3,4</sub>	min. 0.0433	in

## Abutment dimensions



d <sub>a</sub>	min. 2.835	in
D <sub>a</sub>	max. 4.646	in
D <sub>b</sub>	max. 4.843	in
r <sub>a</sub>	max. 0.0787	in
r <sub>b</sub>	max. 0.0394	in

## Calculation data

Basic dynamic load rating	C	23380.13	lbf
Basic static load rating	C <sub>0</sub>	17197.884	lbf
Fatigue load limit	P <sub>u</sub>	719.389	lbf
Reference speed		6700	r/min
Limiting speed		6700	r/min
Calculation factor	k <sub>r</sub>	0.1	
Calculation factor	k <sub>a</sub>	1.6	
Calculation factor	e	1.14	

## Single bearing or bearing pair arranged in tandem

Calculation factor	X	0.35	
Calculation factor	Y <sub>0</sub>	0.26	

Calculation factor	$Y_2$	0.57
<b>Bearing pair arranged back-to-back or face-to-face</b>		
Calculation factor	X	0.57
Calculation factor	$Y_0$	0.52
Calculation factor	$Y_1$	0.55
Calculation factor	$Y_2$	0.93

## Mass

---

Mass bearing		3.858	lb
--------------	--	-------	----

---