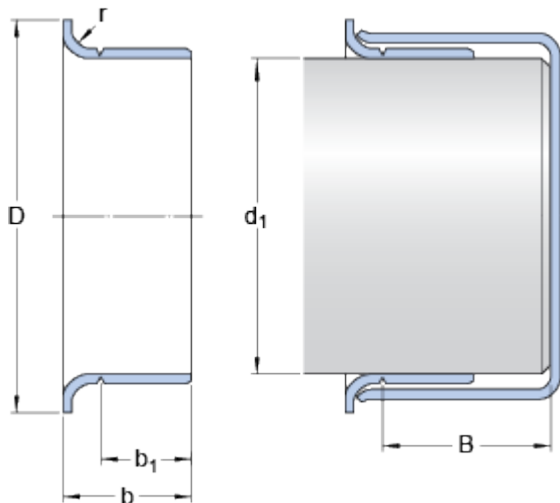


**99087**
**Dimensions**

**Shaft diameter range**
 $d_1$  min. 0.873 in

 $d_1$  max. 0.877 in

**Nominal dimensions**
 $d_1$  0.875 in

 $D$  1.094 in

 $\pm$  0.063 in

 $b$  0.438 in

 $\pm$  0.0315 in

 $b_1$  0.313 in

 $\pm$  0.0315 in

 $B$  max. 2 in

 $r$  max. 0.125 in