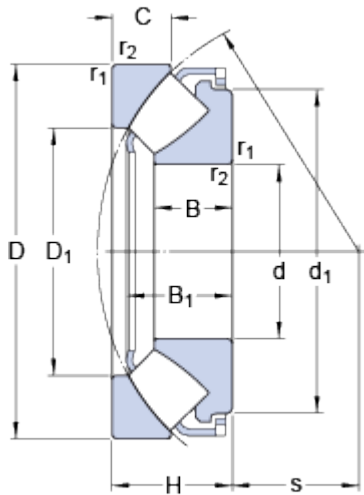


# 29438 E

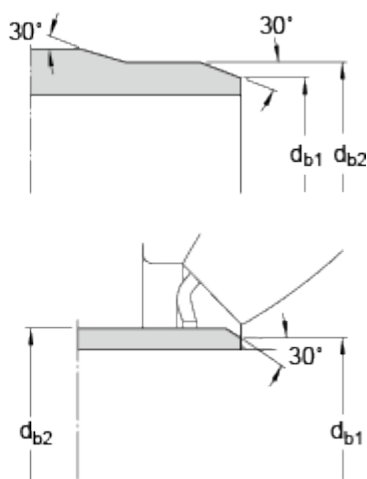
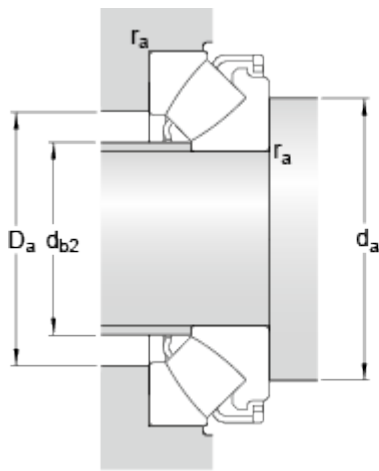
SKF Explorer

## Dimensions



d	190	mm
D	380	mm
H	115	mm
d <sub>1</sub>	≈ 332	mm
D <sub>1</sub>	≈ 265	mm
B	73	mm
B <sub>1</sub>	101	mm
C	55.5	mm
s	117	mm
r <sub>1,2</sub>	min. 5	mm

## Abutment dimensions



d <sub>a</sub>	min. 280	mm
d <sub>b1</sub>	max. 207	mm
d <sub>b2</sub>	max. 223	mm
D <sub>a</sub>	max. 321	mm
r <sub>a</sub>	max. 4	mm

## Calculation data

Basic dynamic load rating	C	2850	kN
Basic static load rating	C <sub>0</sub>	8000	kN
Fatigue load limit	P <sub>u</sub>	765	kN
Reference speed		950	r/min
Limiting speed		1700	r/min
Minimum axial load factor	A	6.1	

## Mass

Mass bearing		60.5	kg
--------------	--	------	----